

KAYE

Kaye Log

Cold Chain Monitoring During Transport



Wireless and affordable temperature monitoring on a tiny device.

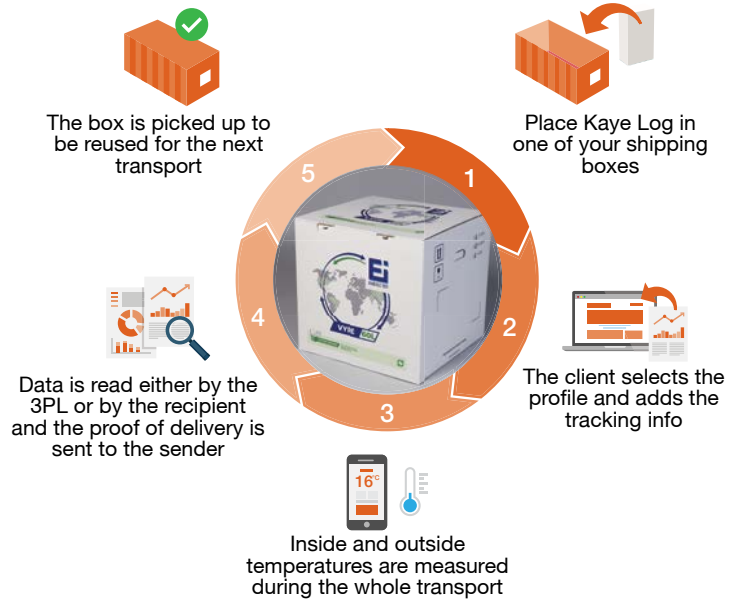
Monitor your sensitive product shipment on your smartphone

What is NFC Technology?

NFC – Near Field Communication allows contactless communication between devices like smart phones or other enabled devices.

With just one swipe on your smart phone, from anywhere in the world, it is now possible to instantly read, send, store data and receive alerts.

All-in-one solution for transporting your temperature-sensitive products



Reduce Time Spent in Operations by 90%

5 Seconds to Start

One Push



Kaye Log is activated in 5 seconds by pressing the Start button. Kaye Log can also be set manually to add a **Pharmaceutical Batch Number** or transport information.

2 Seconds to Process

One Touch



Once received, or during transit, when approaching an enabled Android reader, temperature data is **Automatically** made available and **Instantly Uploaded** to your secure **Cloud Space** without any effort from the user.

Extra Time Quality Check

One Cloud



The **21 CFR part 11** compliant Cloud Space, accessible from your web browser on a 24/7/365 basis, allows visualization and export of all data (Graphs, PDF, CSV, Geolocation).

... and strengthen your Compliance

A better way to monitor Pharma Products - Simple, Geolocated and Affordable

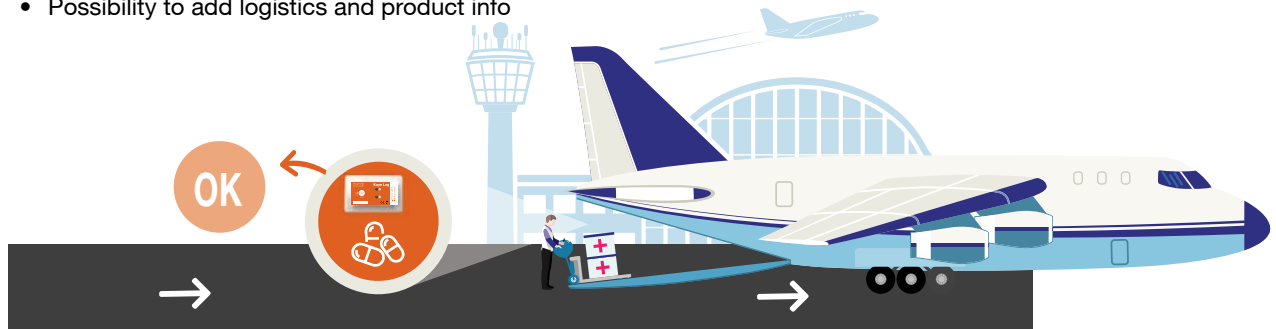
The Kaye Log NFC Data Logger enables full temperature traceability during the transport of temperature, or temperature/humidity sensitive products.

Upon arrival of the package, a go/no-go LED (that can be personalized) indicates immediately if the cold chain has been breached.

All temperature/humidity history can be directly accessed from any smartphone equipped with the NFC technology along with GPS and shipping information.

Loading / Packing

- Loggers, pre-programmed with all the stability info are integrated with products
- Logger's ID is paired with ID of the product/shipment
- Easy integration with serialization, tracking and quality platforms
- Possibility to add logistics and product info



Trans-shipment / Import

- Logistic agents can check parameters via NFC without opening the box/pallet
- Current temperature/geolocation info is sent to the client, allowing pro-activity



Delivery

- PDF report is generated automatically upon reading of data
- All the data is uploaded to the cloud
- The sender gets an automatic proof of delivery



Kaye Log NFC X3105 Series Temperature Data Logger

Available as Single Use (36/100 days) or Reusable (1 year)



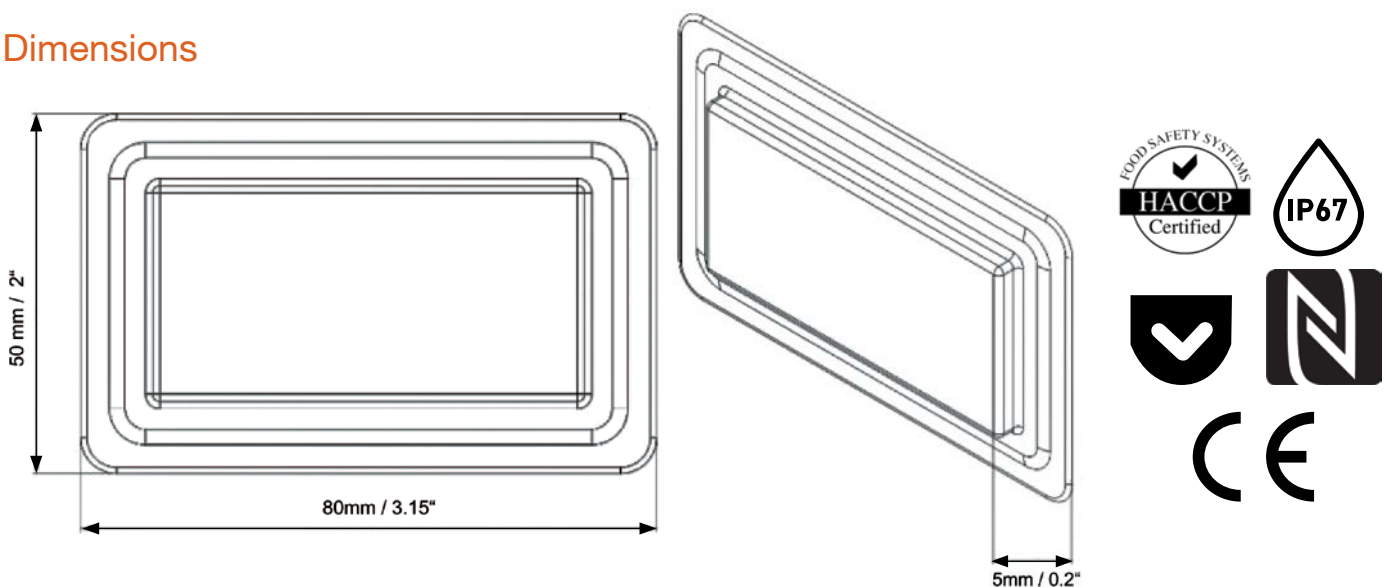
Features

- Temperature measurement
- Sensirion® calibrated sensor
- Temperature range: -40°C to +60°C
- Resolution: 0.1°C
- NFC
- Internal battery
- Quick and easy installation
- Maintenance-free
- Resistant to weather conditions
- Resistant to mechanical damage
- IP 67
- Compliant with norms:
 - CE
 - HACCP
 - ETSI 300220
 - FCC

Technical Specifications

Temperature unit	°C
Temperature Range	-40°C to 60°C
Accuracy	From 0°C to +30°C typically +/- 0.2°C; +/- 0.5°C for the rest
Validity	part #: X3105-111-1 / 36 days single use
	part #: X3105-121-1 / 100 days single use
	part #: X3105-114-1 / 1 year reusable
Intervals	10 minutes default. Modifications start from 1 minute with resolution of 1 second
Memory	5.000 records
IP	67
Power Supply	Internal Battery
Dimensions	85mm x 50mm x 5mm
Weight	10g
Necessary equipment	NFC reader, smartphone or tablet with NFC

Dimensions



NCF USB Reader

The NFC USB Reader allows the user to program and read data from the NFC loggers on a computer running Windows.

Kaye NFC allows you to create a profile with your recording settings (min. and max. temperatures, frequency, etc.) and apply this profile to one or more NFC loggers. Simply follow the software instructions - position your loggers on the reader to program them quickly.

The NFC USB Reader, combined with Kaye NFC Software saves you time by allowing you to scan an entire pack of loggers at one time and download data from them.



NFC Android Reader

The first professional Android-based NFC device designed to meet B2B expectations.



Features and Benefits

- Android Based – as flexible as a smartphone
- Highly Mobile – lightweight, pocket-sized and connected
- Managed over the air – centralized and secure OTA device management platform
- Dedicated device – can be dedicated to a single application
- Secure by design – embedded SE/SAM for the highest security

Europe/Asia

Amphenol Advanced Sensors Germany
GmbH
Sinsheimerstr 6
75179 Pforzheim
Germany

T: +49 (0) 7231 14335 0

F: +49 (0) 7231-14335 29

Email: kaye@amphenol-sensors.com

USA

Amphenol Thermometrics Inc.
967 Windfall Rd
St. Marys, PA 15857

T: +1 814-834-9140

F: +1 814-781-7969

Email: kaye-us@amphenol-sensors.com

www.kayeinstruments.com

Warranty and disclaimer:

The information in this document is based on our current tests, knowledge and experience. Because of the effect of possible influences in an application of the product, they do not exempt the user from their own tests, checks and trials. A guarantee of certain properties or a guarantee for the proper suitability of the product for a specific, especially permanent application cannot be derived from our data. Liability is therefore excluded to that extent permitted by law. Any proprietary rights of third parties as well as existing laws and regulations must be observed by the recipient of the product on his own responsibility.